

# cps<sup>®</sup>

## ***Pro-Set*<sup>®</sup> VACUUM PUMP SERIES**

VP & VPC SINGLE - DUAL STAGE VACUUM PUMPS



CE

# OPERATION MANUAL

# GENERAL INFORMATION

## Table of Contents

<b>General Information</b> .....	<b>2-5</b>	VP & VPC Series Parts.....	6-7
Introduction.....	2	Initial Preparation.....	8
General Safety Instructions.....	3	Vacuum Pump Operation.....	8-9
Specifications.....	4-5	Routine Maintenance.....	9
<b>Operation</b> .....	<b>6-10</b>	Troubleshooting Chart.....	10
		Warranty.....	11

## Introduction

Thank you for purchasing the **CPS® Pro-Set®** VP vacuum pump series. Our vacuum pumps are specifically designed for the air-conditioning and refrigeration service industry. The **VP** and **VPC** series both utilize an electrical motor and oil filled rotary vacuum pump cartridge construction.

### Features:

- Equipped with our exclusive oil mist free exhaust port
- VP series dual stage models are equipped with gas ballast valve
- The dual voltage models can be quickly converted to 115 or 230 volt operation
- **Sure-Grip** handle, ergonomically designed for superior comfort and portability
- Solid rubber base provides extreme shock resistance
- Air cooled motor design allows for operation under high temperature conditions
- The VP & VPC series excel in vacuum performance, rated 10-15 microns (Dual Stage) and 50-100 microns (Single Stage)
- All vacuum pumps allow for multiple connections, therefore giving full operational preference
- Accessible oil drain port & sight glass make both oil maintenance and accuracy easy

To help you get a good start, please continue to carefully read the balance of this manual. This manual contains important information on the proper procedures for operating this equipment. Please pay close attention to the: **Safety Information, Warnings, and Cautions** provided throughout this manual.

**ALWAYS REMEMBER “ SAFETY FIRST ”**

# GENERAL INFORMATION

## General Safety Instructions

**ONLY QUALIFIED SERVICE PERSONNEL SHOULD OPERATE THIS UNIT. SOME COUNTRIES MAY REQUIRE THE USER TO BE LICENSED. PLEASE CHECK WITH YOUR LOCAL GOVERNMENT AGENCY.**

**DANGER** - Avoid breathing refrigerant vapors and lubricant vapor or mist. Breathing high concentration levels may cause heart arrhythmia, loss of consciousness, or even cause suffocation.

### **DANGER - ELECTRICAL SHOCK**

**HAZARD** - Always disconnect power source when servicing this equipment.

**WARNING** - Do not operate the vacuum pump on systems under pressure. Damage to the pump may occur.

**CAUTION** - All hoses may contain liquid refrigerant under pressure. Contact with refrigerant may cause frostbite or other related injuries. Wear proper personal protective equipment such as safety goggles and gloves. When disconnecting any hose, please use extreme caution.

**CAUTION** - Avoid breathing refrigerant vapors and/lubricant mist. Exposure may irritate eyes, nose, throat and skin. Please read the manufacturers Material Safety Data Sheet for further safety information on refrigerants and lubricants.

**CAUTION** - To reduce the risk of fire, avoid the use of extension cords thinner than NO. 14 awg. (2,5mm<sup>2</sup>) to prevent the overheating of this cord please keep length to a minimum.

**CAUTION** - Do not use this equipment in the vicinity of spilled or open containers of gasoline or other flammable substances. Make certain that all safety devices are functioning property before operating the equipment.

**CAUTION: THIS EQUIPMENT IS INTENDED FOR USE OF FINAL EVACUATION OF A REFRIGERANT SYSTEM. THE EVACUATION OF MATERIALS ABOVE 5 PSIG MAY CONTAMINATE OR DAMAGE THE VACUUM PUMP.**

**CAUTION: DO NOT RUN THIS EQUIPMENT WITH LOW OR NO OIL. RUNNING THIS EQUIPMENT WITH NO LUBRICATION WILL CAUSE PREMATURE FAILURE.**



# GENERAL INFORMATION

## Specifications

\* "Blank" = Dual voltage (110-120 / 220 50/60Hz E = 220-240V 50/60Hz J = 100V 50/60Hz U = 115V 50/60Hz

Model Number	VPC2S*	VPC4S*	VP2S*	VP4S*	VP6S*
Stages	1				
Motor Size (HP) RPM @ 50/60Hz	1/5 2880 / 3440	1/4 2880 / 3440	1/4 1440 / 1720	1/3 2880 / 3440	1/2 2880 / 3440
Dimensions (Inches)	9.1 x 4.5 x 8.0				
Weight	9.3 lb / 4.2 kg	11.0 lb / 5 kg	13.7 lb / 6.2 kg	15.0 lb / 6.8 kg	18.3 lb / 8.3 kg
Operating Temperature Range	0°C (32°F) to 52°C (125°F)				
Power Source Available*	U, E, J				
Ultimate Vacuum	as low as 100 Microns				
Oil Capacity	9 oz / 250 ml	10 oz / 300 ml	16 oz / 470 ml	16 oz / 470 ml	19 oz / 550 ml
Construction	Heavy Gauge Aluminum Chassis with hard rubber base and rubber lined steel handle				
Overload Protection	Motor Thermally Protected, Dual Voltage units have extra IEC fuse				
Control System	ON-OFF power switch				
Free Air Displacement	2 CFM @ 60Hz 48 l/m @ 50Hz	4 CFM @ 60Hz 96 l/m @ 50Hz	2 CFM @ 60Hz 48 l/m @ 50Hz	4 CFM @ 60Hz 96 l/m @ 50Hz	6 CFM @ 60Hz 144 l/m @ 50Hz
Intake Fittings	1/4 SAE and 1/2 ACME				
Gas Ballast Valve	No				

# GENERAL INFORMATION

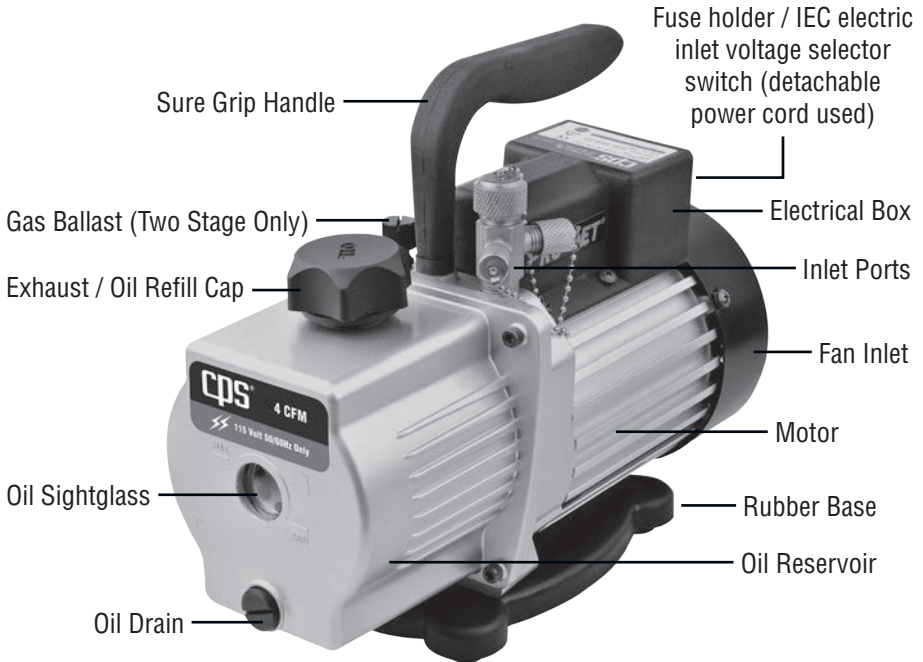
## Specifications

\* "Blank" = Dual voltage (110-120 / 220 50/60Hz E = 220-240V 50/60Hz J = 100V 50/60Hz U = 115V 50/60Hz

Mode Number	VP2D*	VP2*	VP4D*	VP6D*	VP8D*	VP10D*	VP12D*
Stages	2						
Motor Size (HP) RPM @ 50/60Hz	1/4 2880 / 3440	1/3 1440 / 1720	1/2 2880 / 3440	1/2 2880 / 3440	2/3 2880 / 3440	3/4 2880 / 3440	1 2880 / 3440
Dimensions (Inches)	11.3 x 4.5 x 8.0	12.2 x 5 x 9.6	13.1 x 5.5 x 10		14.9 x 5.7 x 10.6		
Weight	12.1 lb / 5.5 kg	17.7 lb / 8.0 kg	22.1 lb / 10.0 kg	22.5 lb / 10.2kg	29.8 lb / 13.5kg	30.3 lb / 13.7kg	30.9 lb / 14.0kg
Operating Temperature Range	0°C (32°F) to 52°C (125°F)						
Power Source Available*	E, U, J		Dual, E, J		Dual, J		
Ultimate Vacuum	15 Microns		10 Microns				
Oil Capacity	9 oz / 250ml	11.5 oz / 330ml	15.5 oz / 450ml	14 oz / 400 ml	29 oz / 860 ml	28 oz / 830 ml	27 oz / 800 ml
Construction	Heavy Gauge Aluminum Chassis with hard rubber base and rubber lined steel handle						
Overload Protection	Motor Thermally Protected, Dual Voltage units have extra IEC fuse						
Control System	ON-OFF power switch						
Free Air Displacement	2 CFM @ 60Hz 48 l/m @ 50Hz	2 CFM @ 60Hz 48 l/m @ 50Hz	4 CFM @ 60Hz 96 l/m @ 50Hz	6 CFM @ 60Hz 144 l/m @ 50Hz	8 CFM @ 60Hz 192 l/m @ 50Hz	10 CFM @ 60Hz 240 l/m @ 50Hz	12 CFM @ 60Hz 288 l/m @ 50Hz
Intake Fittings	1/4 SAE & 1/2 ACME		1/4 SAE, 3/8 SAE, and 1/2 ACME				1/4, 3/8 and 1/2 SAE
Gas Ballast Valve	No		Yes				

# OPERATION

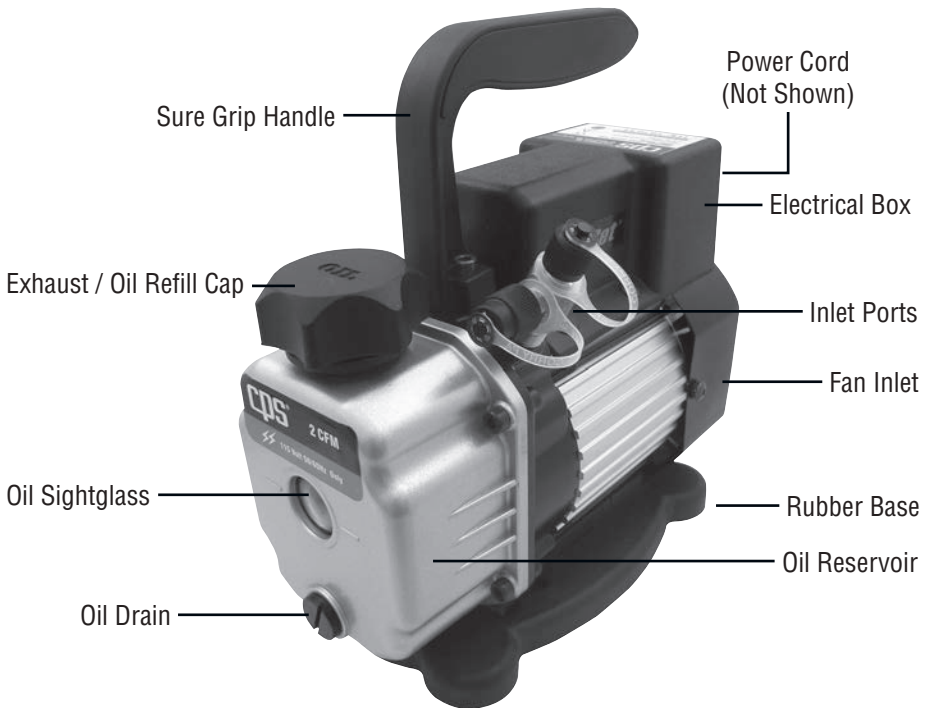
## VP Series Parts



### Unit consists of:

- **Pro-Set**® model vacuum pump
- **CPS**® vacuum pump oil
- Operational manual.

## VPC Series Parts



### Unit consists of:

- **Pro-Set**® model vacuum pump
- **CPS**® vacuum pump oil
- Operational manual.

# OPERATION

## Initial Preparation

1. If the vacuum pump is equipped with a dual voltage motor, make sure the voltage selector switch is set for the desired voltage operation.
2. The vacuum pump is shipped without oil in the reservoir. Remove the exhaust/oil fill cap and add oil until it is seen in the middle of the oil sight glass. Re-secure cap.
3. Remove the 1/4" inlet service port cap, turn on the vacuum pump. After 15 seconds, replace 1/4 cap back on inlet port.
4. Re-check vacuum pump oil level. Add or remove oil if necessary.

To achieve good final vacuum levels, the oil level should be visually seen through sight glass.

**CAUTION: DO NOT RUN THIS EQUIPMENT WITH LOW OR NO OIL. RUNNING THIS EQUIPMENT WITH NO LUBRICATION WILL CAUSE PREMATURE FAILURE.**

**VACUUM PUMP IS NOW READY FOR USE.**

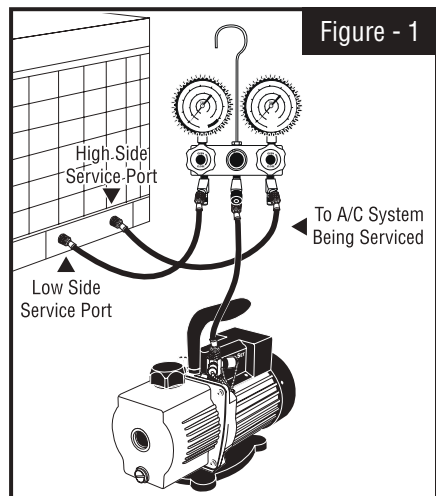
## Vacuum Pump Operation

**WARNING: Do not operate on systems under pressure.  
Damage to the pump may occur.**

1. Check the correct power supply outlet to be used.
2. The VP series is equipped with a dual voltage motor. Make sure the voltage selector switch is set for the desired voltage operation.

**Caution: The motor will overheat and trip the thermal protector if the voltage selector and the power supply voltage do not match.**

3. Connect the correct power cord from vacuum pump to power supply outlet.
4. Check oil level in vacuum pump.





5. Connect vacuum pump as shown in **Figure - 1**.
6. Open manifold valves.
7. Turn vacuum pump power switch "**ON**".
8. Run vacuum pump until final vacuum level is met.
9. Once the final vacuum level is reached, close manifold valves, turn power switch "**OFF**".

## VACUUM OPERATION COMPLETE

### Routine Maintenance

It is recommended to change the vacuum pump oil after **50 hours** of usage. The purity of the oil will determine the final vacuum level achieved. Always use the CPS recommended vacuum pump oil (**VPOQ / VPOP / VPOG**). The oil provided with the pump has been specially blended to maintain maximum viscosity at normal running temperatures as well as cold weather starts.

#### OIL CHANGE PROCEDURES:

1. Be sure the pump oil is warmed up. if not warm, turn vacuum pump "**ON**" for **10 minutes**.
2. Make sure vacuum pump is not plugged in.
3. Remove the oil drain cap and drain the contaminated oil into a suitable container. Tilt the vacuum pump toward the oil drain port.
4. Once all the oil has been drained, re-secure the oil drain cap back onto the oil drain port.
5. Remove the exhaust / oil fill cap and add oil until it is seen in the middle of the oil sight glass. Re-secure exhaust/oil fill cap.

# OPERATION

## Troubleshooting Chart

Condition	Possible Problem	Solution
Unusually noisy	<ol style="list-style-type: none"> <li>1. Bad bearings.</li> <li>2. Loose motor bolts.</li> <li>3. Coupling drive.</li> <li>4. Dirty, low, or improper oil.</li> <li>5. Air leaks in connections.</li> </ol>	<ol style="list-style-type: none"> <li>1. Replace motor.</li> <li>2. Tighten bolts.</li> <li>3. Adjust or replace coupling.</li> <li>4. Replace oil.</li> <li>5. Fix leaks.</li> </ol>
High temperature	<ol style="list-style-type: none"> <li>1. Low or improper voltage.</li> <li>2. Worn bearings.</li> <li>3. Low oil level.</li> </ol>	<ol style="list-style-type: none"> <li>1. Check power source voltage.</li> <li>2. Replace motor.</li> <li>3. Add or replace.</li> </ol>
Poor vacuum	<ol style="list-style-type: none"> <li>1. System leaks.</li> <li>2. Low oil level.</li> <li>3. Dirty oil.</li> <li>4. Air leaks at connection.</li> <li>5. Air leak through seal.</li> <li>6. Worn rotary mechanism.</li> </ol>	<ol style="list-style-type: none"> <li>1. Fix leaks.</li> <li>2. Add or replace oil.</li> <li>3. Flush and replace oil.</li> <li>4. Fix leaks.</li> <li>5. Replace shaft seal.</li> <li>6. Replace cartridge.</li> </ol>
Oil leaks	<ol style="list-style-type: none"> <li>1. Oil leaks through exhaust.</li> <li>2. Oil leaks through shaft seal.</li> <li>3. Oil leaks through reservoir.</li> <li>4. System vented pressure.</li> <li>5. Pump tipped over.</li> </ol>	<ol style="list-style-type: none"> <li>1. Oil level too high.</li> <li>2. Replace shaft seal.</li> <li>3. Tighten bolts or replace gasket.</li> <li>4. Check oil level.</li> <li>5. Check oil level.</li> </ol>
Pump does not start	<ol style="list-style-type: none"> <li>1. No power to motor.</li> <li>2. Damaged motor.</li> <li>3. Thermal cutout.</li> </ol>	<ol style="list-style-type: none"> <li>1. Check fuses in IEC panel.</li> <li>2. Replace motor.</li> <li>3. Wait for thermal switch to reset. Check for cause of thermal.</li> </ol>
Thermal cutout	<ol style="list-style-type: none"> <li>1. Low or incorrect voltage.</li> <li>2. Cold weather.</li> <li>3. Dirty Oil.</li> </ol>	<ol style="list-style-type: none"> <li>1. Check voltage, move voltage selector switch to correct setting.</li> <li>2. Start and run vacuum pump with the intake fitting open for 1 minute to warm up oil.</li> <li>3. Flush and replace oil.</li> </ol>

# WARRANTY

CPS® Products, Inc. guarantees that all products are free of manufacturing and material defects to the original owner for one year from the date of purchase. If the equipment should fail during the guarantee period it will be repaired or replaced (at our option) at no charge. This guarantee does not apply to equipment that has been altered, mis-used or solely in need of field service maintenance. All repaired equipment will carry an independent 90-day warranty. This repair policy does not include equipment that is determined to be beyond economical repair.

## Contact Us

**Web : [www.cpsproducts.com](http://www.cpsproducts.com)**

**Email: [info@cpsproducts.com](mailto:info@cpsproducts.com)**

## CPS Products, Inc.

### **CPS Products, Inc. U.S.A. (Headquarters)**

1010 East 31st Street, Hialeah, Florida 33013, USA  
Tel: 305-687-4121, 1-800-277-3808, Fax: 305-687-3743  
E-mail: [info@cpsproducts.com](mailto:info@cpsproducts.com) [www.cpsproducts.com](http://www.cpsproducts.com)

### **CPS Canada**

4605 Chrysler Ave. Niagara Falls, Ontario L2E 3V6  
Tel: 905-358-3124, Fax: 905-358-7187, 1-866-629-3895,  
E-mail: [cpscanada@bellnet.ca](mailto:cpscanada@bellnet.ca)

### **CPS Products N.V**

Krijgsbaan 241, 2070 Zwijndrecht, Belgium  
Tel: (323) 281 30 40, Fax: (323) 281 65 83, [www.cpsproducts.be](http://www.cpsproducts.be),  
E-mail: [info@cpsproducts.be](mailto:info@cpsproducts.be)

### **CPS Australia PTY. LTD.**

109 Welland Avenue, Welland, South Australia 5007  
Tel: +61 8 8340 7055, Fax: +61 8 8340 7033  
E-mail: [sales@cpsaustralia.com.au](mailto:sales@cpsaustralia.com.au)

**cps**<sup>®</sup>

[www.cpsproducts.com](http://www.cpsproducts.com)

#70-168

# CPS<sup>®</sup>

## ***Pro-Set*<sup>®</sup> POMPE A VIDE** VP & VPC UNIQUE - DOUBLE ÉTAPE POMPE A VIDE



CE

# MANUEL D'INSTRUCTIONS

# INFORMATIONS GÉNÉRALES

## Table de Matières

<b>Information Générales</b> .....	<b>2-5</b>	VP & VPC Série de Pièces .....	6-7
Introduction.....	2	Préparation Initiale .....	8
Consignes de Sécurité.....	3	Opération de Pompe.....	8-9
Spécifications.....	4-5	Maintenance de Routine.....	9
<b>Opération</b> .....	<b>6-10</b>	Tableau de Dépannage.....	10
		Garantie.....	11

## Introduction

Merci d'avoir choisi une pompe de la série **CPS® PROSET®** VP. Ces pompes ont été conçues pour le service dans le domaine du froid et de l'air conditionnée. La série VP utilise un moteur électrique (1/2ch.) et une cartouche rotatif de pompe à vide.

### Spécifications supplémentaires:

**\* Équipé d'CPS exclusif de brouillard d'huile gratuit Port d'échappement.**

- VP modèles de la série à deux étages équipé d'une soupape de lest.
- Dual voltage modèles, la pompe peut être opéré aussi bien en 220v qu'en 110v
- Manche ergonomique, facilitant la portabilité
- Base en caotchouc pour positionnement stable
- Refroidissement par air pour positionnement stable
- Lecture de vacuum par 10-15 microns (2 étapes) et 50-100 microns (1 étape)
- Connecteur a entrées multiples, pour connections correspondentes
- Le drainage d'huile facilite le maintenance de la pompe par son accessibilité facile
- Le niveau d'huile est visible par la visière au dessus de la valve de drainage

**Veillez continuer la lecture des instructions a fin d'avoir un bon départ. Ce manuel contient d'importantes instructions pour l'usage de cet équipement. Faites toujours attention aux REMARQUES . N'oubliez pas, toujours la sécurité d'abord !**

# INFORMATIONS GÉNÉRALES

## Consignes de Sécurité

L'utilisation de ce matériel se fait de préférence que par du personnel qualifié.

**DANGER** - Eviter la respiration des gas réfrigérants ou vapeur de lubrifiant. L'inhalation de hautes concentrations de réfrigérants peut causer des problèmes cardiaques, l'inconscience ou même asphyxions.

**DANGER** - Chocque électrique: toujours déconnecter le câble pendant les opérations de maintenance de la pompe.

**PRÉVENTION** - Ne pas brancher la pompe sur un circuit sous pression.

**ATTENTION** - Tous les tuyaux peuvent contenir de liquide sous pression. Le contact avec ce liquide peut causer des brûlures. Portez des lunettes et gants protectrices. Soyez toujours prudent en déconnectant des tuyaux.

**Ce matériel est conçu pour l'évacuation finale d'un système frigorifique. L'utilisation sur un circuit avec une pression supérieure à 5psi peut endommager la pompe à vide.**

**ATTENTION** - Inhalations de gas réfrigérants peut causer des irritations. Lisez les données de sécurité du fabricant pour amples informations sur les lubrifiants et réfrigérants.

**ATTENTION** - Afin d'éviter le risqué de feu, ne pas utiliser des rallonges avec un diamètre de moins de (2,5mm<sup>2</sup>).

**ATTENTION** - Ne jamais utiliser l'équipement près de liquides inflammables. Contrôlez les consignes de sécurité avant usage.



# INFORMATIONS GÉNÉRALES

## Spécifications

\* «Vierge» = Bi-tension (110-120 / 220 50/60Hz E = 220-240V 50/60Hz J = 100V 50/60Hz U = 115V 50/60Hz

Modèle	VPC2S*	VPC4S*	VP2S*	VP4S*	VP6S*
Etape	1				
Puissance (CP) RPM @ 50/60Hz	1/5 2880 / 3440	1/4 2880 / 3440	1/4 1440 / 1720	1/3 2880 / 3440	1/2 2880 / 3440
Dimensions (Puches)	9.1 x 4.5 x 8.0				
	9.3 lb / 4.2 kg				
	11.3 x 4.5 x 8.0				
	12.2 x 5 x 9.6				
Poids	11.0 lb / 5 kg		13.7 lb / 6.2 kg		15.0 lb / 6.8 kg
	18.3 lb / 8.3 kg				
Température D'Opération	0°C (32°F) to 52°C (125°F)				
Source*	U, E, J				
Vacuum Ultime	aussi bas que 100 Microns				
Capacité D'Huille	9 oz / 250 ml	10 oz / 300 ml	16 oz / 470 ml	16 oz / 470 ml	19 oz / 550 ml
Construction	Caisse en aluminium sur base en caoutchouc et manche pvc				
Protection Surcharge	Protection thermique du moteur				
Contrôle	Par interrupteur				
Déplacement D'Air	2 CFM @ 60H 48 l/m @ 50Hz	4 CFM @ 60Hz 96 l/m @ 50Hz	2 CFM @ 60Hz 48 l/m @ 50Hz	4 CFM @ 60Hz 96 l/m @ 50Hz	6 CFM @ 60Hz 144 l/m @ 50Hz
Connecteurs	1/4 SAE & 1/2 ACME				
Vanne A Décharge	Non				



# INFORMATIONS GÉNÉRALES

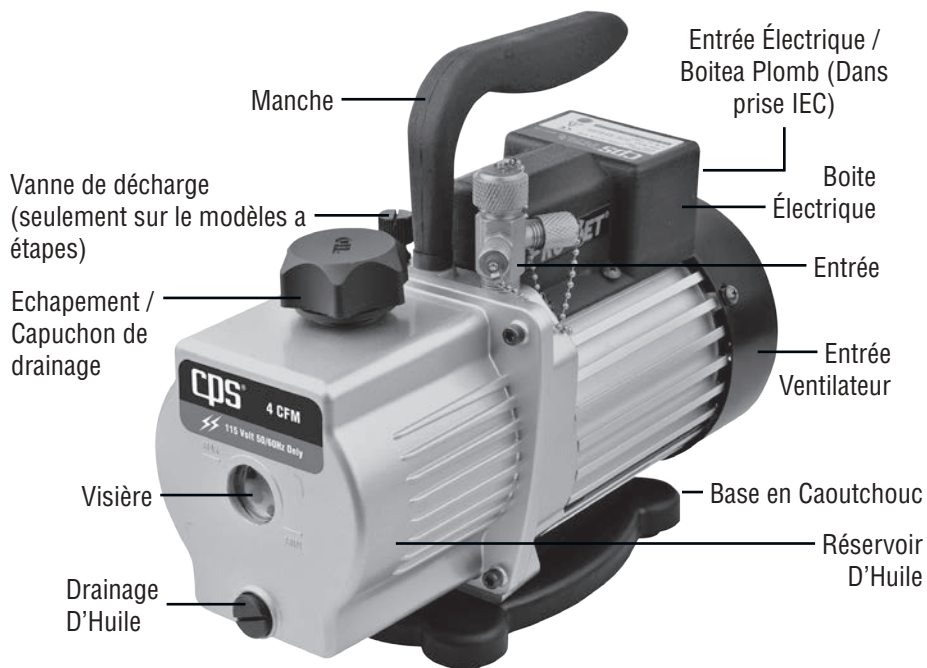
## Spécifications

\* «Verge» = Bi-tension (110-120 / 220 50/60Hz E = 220-240V 50/60Hz J = 100V 50/60Hz U = 115V 50/60Hz

Modèle	VP2D*	VP2D*	VP4D*	VP6D*	VP8D*	VP10D*	VP12D*
Etape	2						
Puissance (CP) RPM @ 50/60Hz	1/4 2880 / 3440	1/3 1440 / 1720	1/2 2880 / 3440	1/2 2880 / 3440	2/3 2880 / 3440	3/4 2880 / 3440	1 2880 / 3440
Dimensions (Puches)	11.3 x 4.5 x 8.0	12.2 x 5 x 9.6	13.1 x 5.5 x 10			14.9 x 5.7 x 10.6	
Poids	12.1 lb / 5.5 kg	17.7 lb / 8.0 kg	22.1 lb / 10.0 kg	22.5 lb / 10.2kg	29.8 lb / 13.5kg	30.3 lb / 13.7kg	30.9 lb / 14.0kg
Température D'Opération	0°C (32°F) to 52°C (125°F)						
Source*	E, U, J		Dual, E, J			Dual, J	
Vacuum Ultime	15 Microns			10 Microns			
Capacité D'Huile	9 oz / 250ml	11.5 oz / 330ml	15.5 oz / 450ml	14 oz / 400 ml	29 oz / 860 ml	28 oz / 830 ml	27 oz / 800 ml
Construction	Caisse en aluminium sur base en caoutchouc et manche pvc						
Protection Surcharge	Protection thermique du moteur						
Contrôle	Protection thermique du moteur						
Déplacement D'Air	2 CFM @ 60Hz 48 l/m @ 50Hz	2 CFM @ 60Hz 48 l/m @ 50Hz	4 CFM @ 60Hz 96 l/m @ 50Hz	6 CFM @ 60Hz 144 l/m @ 50Hz	8 CFM @ 60Hz 192 l/m @ 50Hz	10 CFM @ 60Hz 240 l/m @ 50Hz	12 CFM @ 60Hz 288 l/m @ 50Hz
Connecteurs	1/4 SAE & 1/2 ACME		1/4 SAE, 3/8 SAE, & 1/2 ACME				1/4, 3/8 & 1/2 SAE
Vanne A Décharge	Non		Oui				

# OPÉRATION

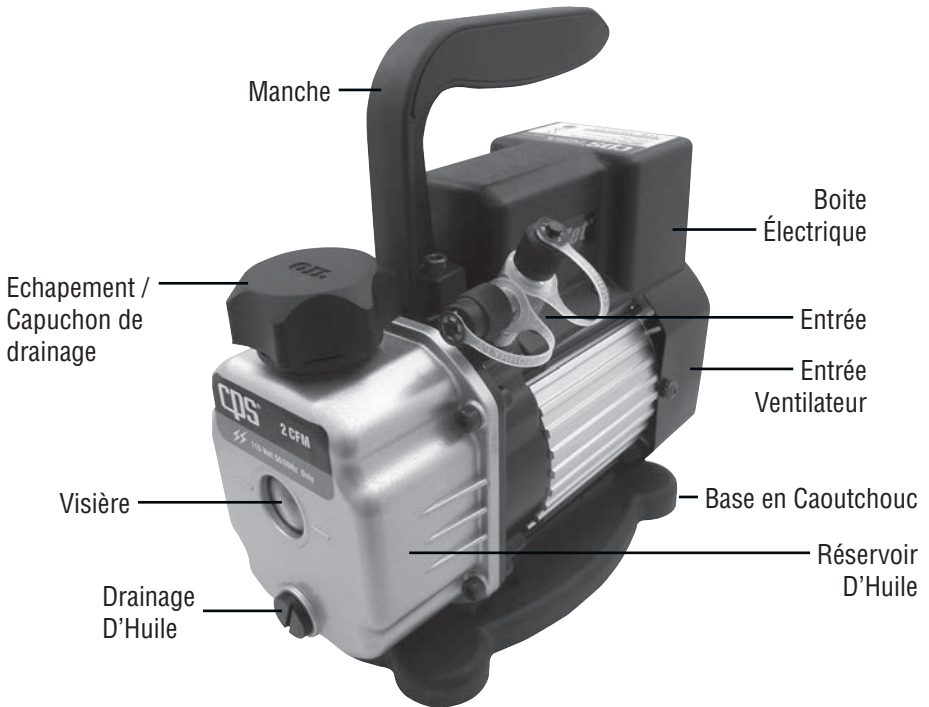
## VP Série de Pièces



### Contenu:

- Pompe à vide **PRO-SET**®
- Cable 220 volt
- Huile pour pompe a vide, 500 ml
- Manuel d'instructions

## VPC Série de Pièces



### Contenu:

- Pompe à vide **PRO-SET**<sup>®</sup>
- Cable 220 volt
- Huile pour pompe a vide, 500 ml
- Manuel d'instructions

# OPÉRATION

## Préparation Initiale

1. Si la pompe à vide est équipé d'un moteur à double tension, s'assurer que le sélecteur de tension est réglé pour le fonctionnement de tension souhaité.
2. La pompe est livré SANS huile dans le réservoir ! Verser l'huile par l'ouverture de remplissage et contrôler le niveau dans la visière.
3. Enlever le capuchon de l'entrée 1/4, allumer la pompe. Après 15 secondes, remettre le capuchon 1/4 sur la bouche d'entrée.
4. Re-contrôler le niveau d'huile et ajouter si nécessaire.

Afin d'obtenir un vide correcte le niveau d'huile doit être bien visible par la visière.

**ATTENTION: Ne pas utiliser la pompe avec peu ou pas d'huile. Utilisation sans lubrification résultera en endommagement prémature.**

La pompe est prête à être utilisée.

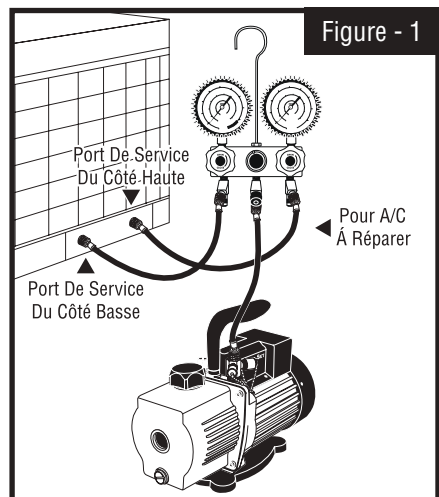
## Opération de Pompe

**CAUTION: Ne pas utiliser la pompe sur des circuits sous pression.**

1. Contrôler le type de voltage.
2. Si la pompe à vide est équipé d'un moteur à double tension, s'assurer que le sélecteur de tension est réglé pour le fonctionnement de tension souhaité.

**Attention: Le moteur surchauffera et la protection thermique sera enclenchée au cas de voltage incorrecte.**

3. Brancher le cable de courant au circuit.
4. Contrôler le niveau d'huile.
5. Connecter la pompe comme montrée en **Figure - 1**.
6. Ouvrir les vannes manifold.
7. Enclencher par la touché "ON".



8. Laisser en marche jusqu'à ce que le niveau requis est obtenu.
9. Une fois le vide final est atteint, fermez les vannes du collecteur. Pouvoir tourner le commutateur sur "**OFF**".

## Opération Terminée

### Maintenance de Routine

Nous recommandons un changement d'huile après **50 heures** de marche. La pureté de l'huile déterminera le niveau de vide. Utiliser toujours l'huile CPS recommandée (**VPXQ** or **VPXG**). L'huile, livrée avec la pompe, a été spécialement conçue pour maintenir une viscosité maximale en températures de marche qu'en départ à froid.

#### CHANGER L'HUILE:

1. L'huile à changer doit être chaude. Si nécessaire, laisser tourner la pompe +/- 10 minutes.
2. La pompe ne peut être connecté au circuit de courant pendant l'opération.
3. Ouvrir la vanne de décharge et incliner la pompe vers le réservoir de récupération.
4. Dès que la pompe est vide, refermer la vanne de décharge.
5. Dévisser le bouchon de charge d'huile. Ajouter l'huile et remettre le le capuchon en place.

## Tableau de Dépannage

Condition	Problème Éventuel	Solution
Trop Bruyant	<ol style="list-style-type: none"> <li>1. Roulements usés.</li> <li>2. Fixations faibles.</li> <li>3. Embrayage fautif.</li> <li>4. Huile sale ou mauvaise.</li> <li>5. Fuites d'air.</li> </ol>	<ol style="list-style-type: none"> <li>1. Remplacer le moteur.</li> <li>2. Serrer les boulons.</li> <li>3. Ajuster ou remplacer.</li> <li>4. Replacer l'huile.</li> <li>5. Resserrer les connecte.</li> </ol>
Temperature Elevee	<ol style="list-style-type: none"> <li>1. Voltage incorrecte.</li> <li>2. Roulements usés.</li> <li>3. Niveau d'huile bas.</li> </ol>	<ol style="list-style-type: none"> <li>1. Contrôler voltage choisi.</li> <li>2. Remplacer le moteur.</li> <li>3. Ajuster ou remplacer l'huile.</li> </ol>
Vide Insuffisant	<ol style="list-style-type: none"> <li>1. Fuites du système.</li> <li>2. Niveau d'huile bas.</li> <li>3. Huile sale.</li> <li>4. Fuites d'air au raccords.</li> <li>5. Fuites d'air par les joints.</li> <li>6. Mécanisme rotatif défaillant.</li> </ol>	<ol style="list-style-type: none"> <li>1. Réparer fuites.</li> <li>2. Ajuster / remplacer.</li> <li>3. Vidanger.</li> <li>4. Resserrer.</li> <li>5. Remplacer les joints.</li> <li>6. Remplacer cartouche.</li> </ol>
Fuite D'huile	<ol style="list-style-type: none"> <li>1. Fuite par échappement.</li> <li>2. Fuite par bourrage.</li> <li>3. Fuite par réservoir.</li> <li>4. Pression évacuée par pompe.</li> <li>5. Pompe renversée.</li> </ol>	<ol style="list-style-type: none"> <li>1. Trop d'huile.</li> <li>2. Remplacer bourrage.</li> <li>3. Resserrer ou changer joint.</li> <li>4. Contrôler niveau d'huile.</li> <li>5. Contrôler niveau d'huile.</li> </ol>
Pompe ne se met pas en marche	<ol style="list-style-type: none"> <li>1. Moteur sans courant.</li> <li>2. Moteur endommagé.</li> <li>3. Coupure thermique.</li> </ol>	<ol style="list-style-type: none"> <li>1. Cotrolez le plomb dans le panneau IEC.</li> <li>2. Remplacer le moteur.</li> <li>3. Attendre la remise de l'interrupteur. Détecter raison de rupture.</li> </ol>
Coupure Thermique	<ol style="list-style-type: none"> <li>1. Voltage bas ou incorrect.</li> <li>2. Temps froid.</li> <li>3. Huile sale.</li> </ol>	<ol style="list-style-type: none"> <li>1. Contrôler sélection de voltage.</li> <li>2. Mettez la pompe en marche, avec la vanne d'entrée ouverte, pendant 1 minute, afin de chauffer l'huile.</li> <li>3. Vidanger.</li> </ol>

CPS® Products, Inc. garantie, au propriétaire original, que tout ces produits sont exempt de fautes de fabrication et matériel pour un an, à compter à la date d'achat. En cas de défaillance dans la période de garantie, l'équipement sera remplacé ou réparé sans frais. La garantie n'est pas applicable dans les cas où l'équipement a été modifié, mal traité ou négligé dans la maintenance. Toutes les réparations sont couvertes par une garantie de 90 jours. La politique de réparation n'est pas applicable dans les cas où une réparation est considérée comme économiquement non justifiable

## Contactez-nous

**Web : [www.cpsproducts.com](http://www.cpsproducts.com)**

**Email: [info@cpsproducts.com](mailto:info@cpsproducts.com)**

## CPS Products, Inc.

### **CPS Products, Inc. U.S.A. (Headquarters)**

1010 East 31st Street, Hialeah, Florida 33013, USA  
Tel: 305-687-4121, 1-800-277-3808, Fax: 305-687-3743  
E-mail: [info@cpsproducts.com](mailto:info@cpsproducts.com) [www.cpsproducts.com](http://www.cpsproducts.com)

### **CPS Canada**

4605 Chrysler Ave. Niagara Falls, Ontario L2E 3V6  
Tel: 905-358-3124, Fax: 905-358-7187, 1-866-629-3895,  
E-mail: [cpscanada@bellnet.ca](mailto:cpscanada@bellnet.ca)

### **CPS Products N.V**

Krijgsbaan 241, 2070 Zwijndrecht, Belgium  
Tel: (323) 281 30 40, Fax: (323) 281 65 83, [www.cpsproducts.be](http://www.cpsproducts.be),  
E-mail: [info@cpsproducts.be](mailto:info@cpsproducts.be)

### **CPS Australia PTY. LTD.**

109 Welland Avenue, Welland, South Australia 5007  
Tel: +61 8 8340 7055, Fax: +61 8 8340 7033  
E-mail: [sales@cpsaustralia.com.au](mailto:sales@cpsaustralia.com.au)

**cps**<sup>®</sup>

[www.cpsproducts.com](http://www.cpsproducts.com)

#70-168



# cps<sup>®</sup>

## ***Pro-Set*<sup>®</sup> VAKUUM PUMPEN** VP & VPC SINGEL - DUAL BÜHNE VAKUUM PUMPEN



CE

# BEDIENUNGSANLEITUNG

# ALLGEMEINE INFORMATIONEN

## Inhaltsverzeichnis

<b>Allegemeine Informationen</b> .....	<b>2-5</b>	VP & VPC Vakuumpumpe Teile .....	6-7
Einweisungen / Ausstattungen .....	2	Erste Vorbereitung .....	8
Generelle Sicherheitshinweise .....	3	Arbeitsweise der Vakuumpumpe .....	8-9
Technische Spezifikationen .....	4-5	Regelmäßige Wartungen .....	9
<b>Betrieb</b> .....	<b>6-10</b>	Vorschläge zu Problemlösungen .....	10
		Garantie .....	11

## Einweisungen / Ausstattungen

Wir bedanken uns für den Erwerb der **CPS® - PROSET®** Vakuumpumpe. Diese Vakuumpumpen wurden speziell für die Anwendung in der konventionellen Kältetechnik, sowie in der Klima-technik hergestellt. Unsere Vakuumpumpen werden von einem 1/3 bzw. von einem  $\frac{1}{3}$  PS Motor angetrieben und der mechanische Teil rotiert in einem ölgefüllten Gehäuse.

Nachfolgend die Ausstattungsmerkmale:

- Ausgestattet mit CPS® Exclusive Ölnebel freie Abluft Port
- VP Serie Dual Stage-Modelle mit Gasballastventil ausgerüstet
- Dual Voltage-Modelle können schnell auf b 115 oder 230 Volt-Betrieb umgestellt
- Sicherheitshandgriff, ergonomisch geformt für leichten transport
- Solide Ausführung, daher resistent gegen leichte Erschütterungen
- Luftgekühlter motor ermöglicht den Einsatz bei höheren Temperaturen
- Äußerst hohes Endvakuum von ca. .02-.03 mbar (2-stufig) und .065-.13 mbar (1-stufig)
- Mehrfache Sauganschluss-Verbindung zur besseren Handhabung
- Ölablaßventil für schnellen Ölwechsel-
- Schauglas um den Ölstand jederzeit kontrollieren zu können.

Um evtl. Fehler im Voraus zu vermeiden, lesen Sie bitte sorgfältig diese Bedienungsanleitung. Diese Anleitung beinhaltet wichtige Informationen für den sicheren und langlebigen Gebrauch. Achten sie besonders auf die Sicherheitshinweise. Bedenken Sie immer, dass die Sicherheit den höchsten Stellenwert hat.

# ALLGEMEINE INFORMATIONEN

## Generelle Sicherheitshinweise

**Nur qualifiziertes Personal darf dieses Gerät bedienen. Beachten Sie besonders die jeweiligen, länderspezifischen Hinweise. Bitte prüfen Sie die lokalen vorgeschriebenen Bedingungen zur Anwendung dieses Gerätes.**

**GEFAHR** - Vermeiden Sie die Einatmung von Kältemittelgasen, Ölen oder Nebel. Einatmung hoher Konzentration kann zu Herzrhythmusstörungen und Bewußtlosigkeit, oder gar zur Erstickung führen.

**GEFAHR** - Elektroschock. Ziehen Sie immer den Netzstecker aus der Steckdose, wenn Sie an dem Gerät arbeiten müssen.

**WARNUNG** - Arbeiten Sie nicht mit der Vakuumpumpe, wenn das System unter Druck steht. Beschädigungen an der Vakuumpumpe sind dadurch die Ursache.

**WARNUNG** - Alle Füllschläuche können flüssiges Kältemittel unter Druck enthalten. Kontakt mit Kältemittel kann dann zu Frostschäden führen, oder auch anderen Verletzungen. Tragen Sie immer Sicherheitskleidung mit Handschuhen und Sicherheitsbrille. Bei dem Lösen von Füllschläuchen immer äußerste Vorsicht walten lassen.

**Dieses Gerät ist dafür ausgelegt, um in einer Kälte - oder Klimaanlage, welche mit Sicherheitskältemittel gefüllt war, ein Vakuum zu erzeugen. Der Druck in dem System darf vor dem Vakuumieren nicht über 0,34 bar sein, da sonst die Vakuumpumpe zerstört, oder beschädigt werden kann.**

**WARNUNG** - Atmen Sie keine Kältemittelgase, Öle oder Nebel ein. Freigesetzte Gase verletzen Augen, Nase, Hals und Haut. Bitte lesen Sie unbedingt die Sicherheitshinweise der jeweiligen Hersteller der verschiedenen Produkte.

**WARNUNG** - Um das Risiko eines Feuers zu vermeiden, verwenden Sie immer nur Elektrokabel mit einem Querschnitt von mindestens 2,5mm<sup>2</sup> um eine Überhitzung zu vermeiden. Verwenden Sie auch niemals zu lange Elektrokabel, sondern immer nur die Mindestlänge.

**WARNUNG** - Benutzen Sie das Gerät nie in unmittelbarer Nachbarschaft von offenen Gaskontainern, oder anderen brennbaren Gasen. Versichern Sie sich, daß alle Sicherheitshinweise eingehalten werden, bevor Sie das Gerät einschalten.



# ALLGEMEINE INFORMATIONEN

## Technische Spezifikationen

\* Stromanschluss = Bi-tension (110-120 / 220 50/60Hz E = 220-240V 50/60Hz J = 100V 50/60Hz U = 115V 50/60Hz

Modelle	VPC2S*	VPC4S*	VP2S*	VP4S*	VP6S*
Stufige	1				
Motorleistung in PS	1/5 2880 / 3440	1/4 2880 / 3440	1/4 1440 / 1720	1/3 2880 / 3440	1/2 2880 / 3440
Abmessungen in mm (lxbxh)	9.1 x 4.5 x 8.0	11.3 x 4.5 x 8.0	12.2 x 5 x 9.6	13.1 x 5.5 x 10	18.3 x 5.5 x 10
Gewicht	9.3 lb / 4.2 kg	11.0 lb / 5 kg	13.7 lb / 6.2 kg	15.0 lb / 6.8 kg	18.3 lb / 8.3 kg
Arbeits- Tempr.	0°C (32°F) to 52°C (125°F)				
Stromanschluss*	U, E, J				
Max. Endvakuum	So niedrig wie 100 Mikron				
Ol-Inhalt	9 oz / 250 ml	10 oz / 300 ml	16 oz / 470 ml	16 oz / 470 ml	19 oz / 550 ml
Konstruktion	Stabiles aluminum gehause mit festen gummiFußen und knuststoff-alu-handgriff				
Überlastungs-Schutz	Motor mit thermischem schutz				
Kontrol System	An / Aus schalter				
Freies Ansaugvolumen	2 CFM @ 60H 48 l/m @ 50Hz	4 CFM @ 60Hz 96 l/m @ 50Hz	2 CFM @ 60Hz 48 l/m @ 50Hz	4 CFM @ 60Hz 96 l/m @ 50Hz	6 CFM @ 60Hz 144 l/m @ 50Hz
Eingangs-Verbindungs-Anschlusse	1/4 SAE & 1/2 ACME				
Gas Ballast	Nein				

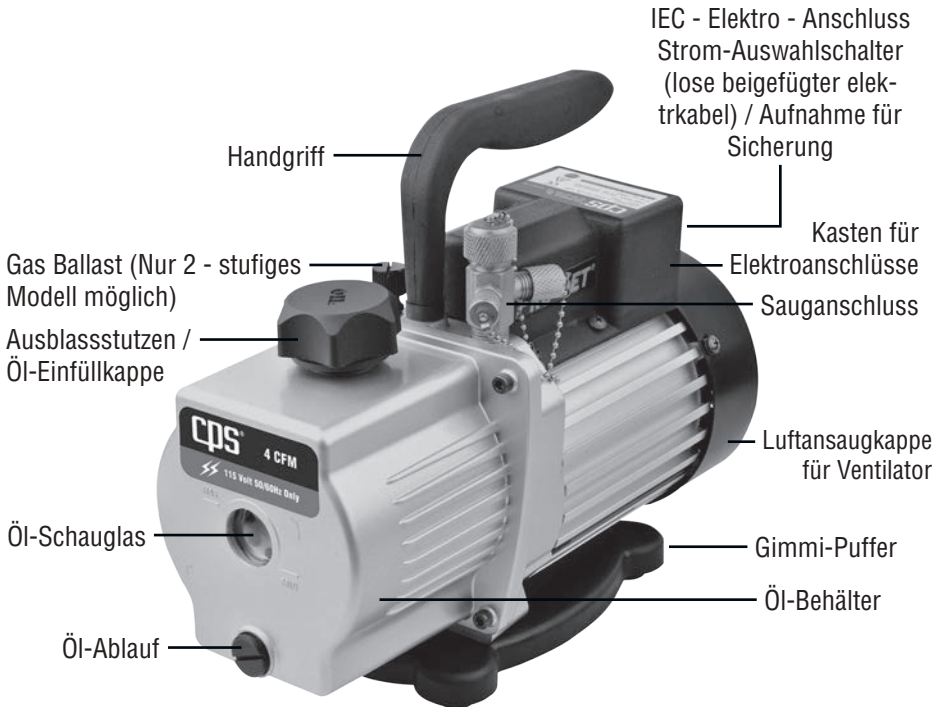
# ALLGEMEINE INFORMATIONEN

## Technische Spezifikationen

\* Stromanschluss = Bi-tension (110-120 / 220 50/60Hz E = 220-240V 50/60Hz J = 100V 50/60Hz U = 115V 50/60Hz

Modelle	VP2D*	VP2D*	VP4D*	VP6D*	VP8D*	VP10D*	VP12D*
Stufige	2						
Motorleistung In PS	1/4 2880 / 3440	1/3 1440 / 1720	1/2 2880 / 3440	1/2 2880 / 3440	2/3 2880 / 3440	3/4 2880 / 3440	1 2880 / 3440
Abmessungen In mm (Lxbxh)	11.3 x 4.5 x 8.0	12.2 x 5 x 9.6	13.1 x 5.5 x 10			14.9 x 5.7 x 10.6	
Gewicht	12.1 lb / 5.5 kg	17.7 lb / 8.0 kg	22.1 lb / 10.0 kg	22.5 lb / 10.2kg	29.8 lb / 13.5kg	30.3 lb / 13.7kg	30.9 lb / 14.0kg
Arbeits-Tempr.	0°C (32°F) to 52°C (125°F)						
Stromanschluss*	E, U, J		Dual, E, J			Dual, J	
Max. Endvakuum	15 Mikron			10 Mikron			
Öl-Inhalt	9 oz / 250ml	11.5 oz / 330ml	15.5 oz / 450ml	14 oz / 400 ml	29 oz / 860 ml	28 oz / 830 ml	27 oz / 800 ml
Konstruktion	Stabiles aluminium gehäuse mit festen gummißüben und knurstoff-alli-handgriff						
Überstütlungs-Schutz	Motor mit thermischem schutz						
Kontrol System	An / Aus schalter						
Freies Ansaugvolumen	2 CFM @ 60Hz 48 l/m @ 50Hz	2 CFM @ 60Hz 48 l/m @ 50Hz	4 CFM @ 60Hz 96 l/m @ 50Hz	6 CFM @ 60Hz 144 l/m @ 50Hz	8 CFM @ 60Hz 192 l/m @ 50Hz	10 CFM @ 60Hz 240 l/m @ 50Hz	12 CFM @ 60Hz 288 l/m @ 50Hz
Eingangs-Verbindungs-Anschlusse	1/4 SAE & 1/2 ACME	1/4 SAE, 3/8 SAE, & 1/2 ACME			1/4, 3/8 & 1/2 SAE		
Gas Ballast	Nein						Ja

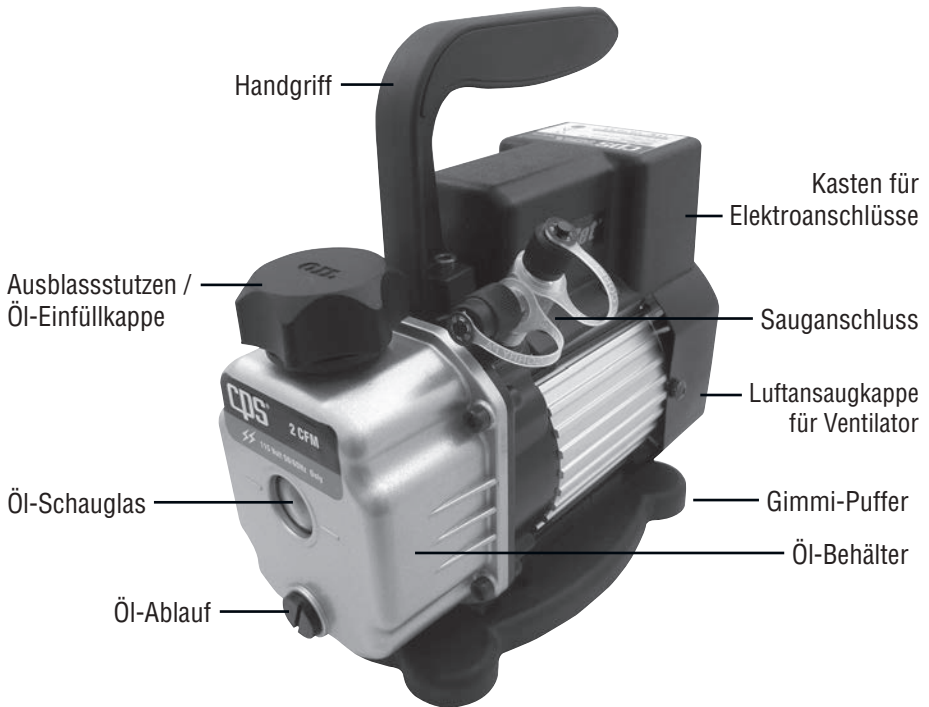
## VP Ersatzteile Für Vakuum-Pumpe



### Serienmäßiger Lieferumfang:

- **Pro-Set**® Modelle Vakuum - Pumpe
- 230 V Elektrokabel
- ca. 500ml **CPS**® Vakuum - Pumpenöl
- Bedienungsanleitung

## VPC Ersatzteile Für Vakuum-Pumpe



### Serienmäßiger Lieferumfang:

- **Pro-Set**® Modelle Vakuum - Pumpe
- 230 V Elektrokabel
- ca. 500ml **CPS**® Vakuum - Pumpenöl
- Bedienungsanleitung

# BETRIEB

## Erste Vorbereitung

1. Wenn die Vakuumpumpe mit einem Dual Voltage Motor equipped ist sicher, dass die Wahlschalter für die gewünschte Spannung Betrieb gesetzt.
2. Diese Vakuumpumpe wird ohne Ölfüllung geliefert. Entfernen Sie die Öle infüllkappe und füllen die vorgeschriebene Menge Öl bis zur Mitte des Schauglases nach. Danach die Öleinfüllkappe wieder aufschrauben.
3. Entfernen Sie die Kappe vom 1/4" SAE Anschluß. Schalten Sie die Vakuumpumpe ein. Nach ca. 15 Sekunden replace 1/4 cap back on inlet port. Lassen Sie die Pumpe für eine weitere Minute laufen und schalten diese dann wieder aus.
4. Prüfen Sie den Ölstand der Vakuumpumpe im Schauglas und falls erforderlich, füllen Sie etwas nach, oder lassen Sie etwas ab. Um ein gutes Endvakuum zu erreichen, prüfen Sie regelmäßig den Ölstand im Schauglas und auch, ob das Öl sauber und rein ist.

**ACHTUNG: Starten sie diese vakuumpumpe niemals ohne, oder mit zu wenig vakuumpumpenöl, denn in diesem fall ist ein schaden an der vakuumpumpe unvermeidbar und führt zu garantieverlust.**

**Die Vakuumpumpe ist jetzt zum Einsatz vorbereitet.**

## Arbeitsweise der Vakuumpumpe

**Warnung: Unter Druck im System die Vakuumpumpe nicht anschließen und nicht einschalten.**

1. Prüfen Sie die jeweilige Stromspannung vor Ort.
2. Wenn die Vakuumpumpe mit einem Dual Voltage Motor equipped ist sicher, dass die Wahlschalter für die gewünschte Spannung Betrieb gesetzt.

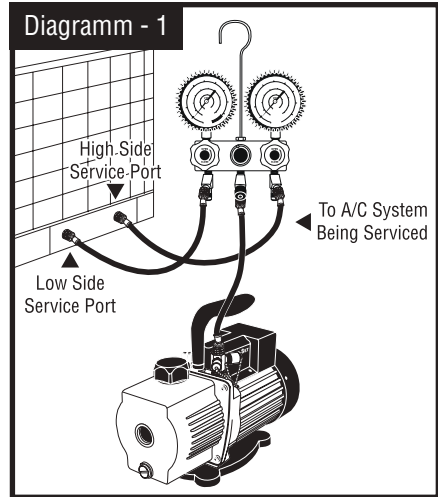
**Hinweis: Bei der falschen Wahl der Stromspannung wird der Motor überhitzt und der Überhitzungsschutz schaltet das Gerät aus. Eine Zerstörung kann dann die Ursache sein.**

3. Verbinden Sie den Stromkabel mit der richtig eingestellten Spannung mit der Steckdose.
4. Prüfen Sie den Ölstand im Schauglas der Vakuumpumpe.



5. Verbinden Sie die Vakuumpumpe wie im **Diagramm - 1**.
6. Open manifold valves.
7. Schalten Sie die Vakuumpumpe ein "**ON**".
8. Vakuumpumpe laufen lassen bis das Endvakuum erreicht ist.
9. Haben Sie das Endvakuum erreicht, schließen Sie das manifold valves. Schalten Sie die Pumpe aus "**OFF**".

Die Arbeitsweise der Vakuumpumpe ist erklärt!



## Regelmäßige Untersuchungen oder Wartungen

Wir empfehlen das Öl in der Vakuumpumpe mindestens nach **50** Betriebsstunden zu wechseln. Die Leistung der Pumpe ist wesentlich abhängig von der Reinheit des Öls. Verwenden Sie ausschließlich das Vakuumpumpen - Öl von GPS, Typ **VPXQ** oder **VPXG**. Die Ölbeschaffung für die Pumpen ist spezialisiert für eine besonders gute Viskosität bei normalen Betriebsbedingungen, sowie beim Start bei kaltem Wetter.

### Ölwechsel:

1. Die Pumpe muß warm sein. Sollte dies nicht so sein, bitte Pumpe für ca. 10 Minuten laufen lassen.
2. Vergewissern Sie sich, daß der Stecker von der Pumpe nicht in der Steckdose steckt.
3. Entfernen Sie die Öleinfüllkappe und füllen Sie das alte Öl in einem bereitgestellten Behälter. Kippen Sie die Vakuumpumpe in Richtung von dem Ölablaß, um restliches Öl besser abfließen zu lassen.
4. Ist alles Altöl abgeflossen, schließen Sie das Ölablaßventil mit der erforderlichen Kappe.
5. Entfernen sie die Öl-einfüllkappe/ausblasstutzen und füllen das Öl bis zur mitte von dem schauglas. Schrauben sie danach diese kappe wieder auf.

## Vorschläge zu Problemlösungen

Ursachen	Mögliche Probleme	Lösungen - Vorschläge
Ungewöhnliche geräusche	<ol style="list-style-type: none"> <li>1. Schlechte standunterlage.</li> <li>2. Lose motorbefestigung.</li> <li>3. Kupplungsantrieb.</li> <li>4. Schmutziges, zu wenig Öl.</li> <li>5. Lufteinlaß an verbindungen.</li> </ol>	<ol style="list-style-type: none"> <li>1. Feste standunterlage suchen.</li> <li>2. Schrauben nachziehen.</li> <li>3. Kupplung einstellen oder tauschen.</li> <li>4. Ölwechsel.</li> <li>5. Leckagen suchen u. beheben.</li> </ol>
Zu hohe temperatur	<ol style="list-style-type: none"> <li>1. Falsche stromspannung.</li> <li>2. Falscher motor.</li> <li>3. Niedriger Ölstand.</li> </ol>	<ol style="list-style-type: none"> <li>1. Prüfe stromspannung u. einstellung.</li> <li>2. Motor austauschen.</li> <li>3. Öl nachfüllen.</li> </ol>
Zu geringes vakuum	<ol style="list-style-type: none"> <li>1. Leckage im system.</li> <li>2. Niedriger Ölstand.</li> <li>3. Schmutziges Öl.</li> <li>4. Leckage an verbindungen.</li> <li>5. Lufteinfluß durch dichtungen.</li> <li>6. Abgenutztes gehäuse.</li> </ol>	<ol style="list-style-type: none"> <li>1. Leckage finden u. beheben.</li> <li>2. Öl nachfüllen.</li> <li>3. Öl ablassen u. neu befüllen.</li> <li>4. Leckagen beheben.</li> <li>5. Dichtungen austauschen.</li> <li>6. Gehäuse austauschen.</li> </ol>
Öl-leckagen	<ol style="list-style-type: none"> <li>1. Öl kommt aus dem Auspuff.</li> <li>2. Öl tritt aus den dichtungen.</li> <li>3. Öl tritt aus dem gehäuse.</li> <li>4. System fördert luft durch VP.</li> </ol>	<ol style="list-style-type: none"> <li>1. Zuviel Öl in der VP.</li> <li>2. Dichtungen austauschen.</li> <li>3. Schrauben anziehen u. dichtungen wechseln.</li> <li>4. Ölstand prüfen.</li> </ol>
Pumpe starte	<ol style="list-style-type: none"> <li>1. Keine Spannung zum motor.</li> <li>2. Defekter motor.</li> <li>3. Thermischer schalter aus.</li> </ol>	<ol style="list-style-type: none"> <li>1. Sicherung überprüfen.</li> <li>2. Motor austauschen.</li> <li>3. Kurze Zeit warten zur Abkühlung u. prüfen Sie die Ursache.</li> </ol>
Thermischer schalter schaltet aus	<ol style="list-style-type: none"> <li>1. Niedrige o. falsche spannung.</li> <li>2. Zu kaltes wetter.</li> <li>3. Schmutziges Öl.</li> </ol>	<ol style="list-style-type: none"> <li>1. Prüfe stromspannung u. hebel in der richtigen stellung.</li> <li>2. VP neu starten mit geöffneten sauganschlüssen um die VP aufzuwärmen.</li> <li>3. Altes Öl ablassen u. neues nachfüllen.</li> </ol>

CPS® Products, Inc. garantiert für 1 Jahr ab dem Rechnungsdatum, daß alle Produkte frei von Herstellungs- u. Materialfehlern sind. Sollte das Produkt innerhalb der Garantiezeit einen Defekt aufweisen, werden wir es uns vorbehalten kostenlos zu reparieren, oder auszutauschen. Garantieleistungen werden nicht erbracht bei Beschädigungen durch den Anwender, oder falsche Handhabungen, sowie fehlenden Service. Alle reparierten Produkte erhalten eine Garantiezeit von 90 Tagen ab dem Lieferdatum, bzw. Reparaturdatum.

## Kontakt Informationen

**Web : [www.cpsproducts.com](http://www.cpsproducts.com)**

**Email: [info@cpsproducts.com](mailto:info@cpsproducts.com)**

## CPS Products, Inc.

### **CPS Products, Inc. U.S.A. (Headquarters)**

1010 East 31st Street, Hialeah, Florida 33013, USA  
Tel: 305-687-4121, 1-800-277-3808, Fax: 305-687-3743  
E-mail: [info@cpsproducts.com](mailto:info@cpsproducts.com) [www.cpsproducts.com](http://www.cpsproducts.com)

### **CPS Canada**

4605 Chrysler Ave. Niagara Falls, Ontario L2E 3V6  
Tel: 905-358-3124, Fax: 905-358-7187, 1-866-629-3895,  
E-mail: [cpscanada@bellnet.ca](mailto:cpscanada@bellnet.ca)

### **CPS Products N.V**

Krijgsbaan 241, 2070 Zwijndrecht, Belgium  
Tel: (323) 281 30 40, Fax: (323) 281 65 83, [www.cpsproducts.be](http://www.cpsproducts.be),  
E-mail: [info@cpsproducts.be](mailto:info@cpsproducts.be)

### **CPS Australia PTY. LTD.**

109 Welland Avenue, Welland, South Australia 5007  
Tel: +61 8 8340 7055, Fax: +61 8 8340 7033  
E-mail: [sales@cpsaustralia.com.au](mailto:sales@cpsaustralia.com.au)

**cps<sup>®</sup>**

[www.cpsproducts.com](http://www.cpsproducts.com)

#70-168

# CPS<sup>®</sup>

## ***Pro-Set*<sup>®</sup> BOMBA DE VACIO**

VP & VPC UNA - DOBLE ETAPA BOMBA DE VACIO



CE

# MANUAL DE OPERACIÓN

# INFORMACIÓN GENERAL

## Contenido

<b>Información General</b> .....	<b>2-5</b>	Partes de Serie VP & VPC.....	6-7
Introducción.....	2	Preparación Inicial.....	8
Instrucciones de Seguridad.....	3	Uso de la Bomba de Vacío.....	8-9
Especificaciones.....	4-5	Mantenimiento de Rutina.....	9
<b>Operación</b> .....	<b>6-10</b>	Solución de Problemas.....	10
		Garantía.....	11

## Introducción

Gracias por su compra de la bomba de vacío VP de **CPS® PRO-SET®**. La serie VP de bombas de vacío han sido, específicamente, diseñadas para trabajar en aire acondicionado y refrigeración. La serie VP utiliza un motor eléctrico y una recámara para bomba de vacío rotativa llena de aceite.

### The following are additional features:

- Equipado con CPS exclusiva de niebla de aceite libre del Escape
- VP modelos de la serie de dos etapas equipado con válvula de gas de lastre
- Los modelos de doble voltaje puede convertirse rápidamente a la operación de 115 voltios o 230
- Agarradera justa - De diseño ergonómico fácil de transportar
- Base sólida de plástico para mejorar la resistencia a golpes
- Motor enfriado por aire para operar en condiciones de altas temperaturas
- Valores máximos de vacío de 10-15 Micrones (doble etapa) y 50-100 micrones (una etapa)
- Múltiples tipos de conexiones de entrada para la preferencia del usuario
- Boquete del aceite - para el mantenimiento fácil del aceite de la bomba de vacío
- Visor de líquido del nivel de aceite de la bomba de vacío- Verificación visu al del nivel y pureza del aceite

**Para ayudarlo a tener un buen inicio, favor de continuar y leer el total de este manual. Contiene información importante en la operación, mantenimiento y reglas de seguridad que usted debe comprender totalmente antes de intentar operar este equipo. Le recomendamos que ponga mucha atención a la información sobre seguridad, PELIGROS y PRECAUCIONES proveídos en este manual. Recuerde siempre “Primero Seguridad”.**

# INFORMACIÓN GENERAL

## Instrucciones Generales de Seguridad

**SOLO PERSONAL DE SERVICIO CALIFICADO DEBE OPERAR ESTA UNIDAD. ALGUNOS PAISES PUEDEN REQUERIR DE UN USUARIO LISENCIADO. POR FAVOR VERIFIQUE CON SU AGENCIA DE GOBIERNO LOCAL.**

**PELIGRO** - Evite respirar vapores del refrigerante y vapores o humo lubricante. El respirar altos niveles de concentración puede causar arritmia del corazón, pérdida de conocimiento, o también causar sofocación.

**PELIGRO - PELIGRO DE DESCARGA ELECTRICA** - Siempre desconectar la fuente de energía cuando le este dando servicio a este equipo.

**ADVERTENCIA** - No opere la bomba de vacío en sistemas con presión. Puede ocurrir un daño a la bomba de vacío.

**PRECAUCION** - Todas las mangueras pueden contener líquido refrigerante bajo presión. El contacto con el refrigerante puede causar congelamiento u otros daños. Use equipo apropiado de protección personal, como guantes y lentes de seguridad. Al desconectar cualquier manguera, por favor use extremo cuidado.

**PRECAUCION** - Evite respirar vapores del refrigerante y vapores o humo lubricante. Estar expuesto a estos químicos puede causar irritación a los ojos, nariz, garganta, y piel. Por favor lea la hoja de datos de material de seguridad para obtener mayor información sobre refrigerantes y lubricantes.

**PRECAUCION** - Para reducir el riesgo de incendio, evite el uso de cables de extensión más delgados que NO. 14 awg., (2,5mm<sup>2</sup>) para prevenir el sobrecalentamiento de este cable por favor mantenga su longitud al mínimo.

**PRECAUCION** - No use este equipo cerca de recipientes abiertos que contengan gasolina o cerca de gasolina rebalsada u otras sustancias inflamables. Asegúrese que todos los dispositivos de seguridad estén funcionando adecuadamente antes de operar el equipo.

**PRECAUCION: EL FUNCIONAMIENTO DE ESTE EQUIPO TIENE EL PROPÓSITO DE EVACUAR GASES DE SISTEMAS DE REFRIGERACIÓN. LA EVACUACIÓN DE MATERIALES A PRESIONES MAYORES DE 5 PSIG PUEDE CONTAMINAR O DAÑAR LA BOMBA DE VACIO.**

**PRECAUCION:HACER FUNCIONAR ESTE EQUIPO SIN LUBRICACIÓN CUASARA UN FALLO PREMATURO.**



# INFORMACIÓN GENERAL

## Especificaciones

* "En Blanco" = Voltaje Dual (110-120 / 220 50/60Hz E = 220-240V 50/60Hz J = 100V 50/60Hz U = 115V 50/60Hz					
Modelo	VPC2S*	VPC4S*	VP2S*	VP4S*	VP6S*
Etapas	1				
Motor Horsepower RPM @ 50/60Hz	1/5 2880 / 3440	1/4 2880 / 3440	1/4 1440 / 1720	1/3 2880 / 3440	1/2 2880 / 3440
Dimensiones (pulgadas)	9.1 x 4.5 x 8.0		12.2 x 5 x 9.6		13.1 x 5.5 x 10
Peso	9.3 lb / 4.2 kg		13.7 lb / 6.2 kg		18.3 lb / 8.3 kg
Rango de Operación	0°C (32°F) to 52°C (125°F)				
Fuente de Poder*	U, E, J				
Último Vacío	Tan bajas como 100 Micrones		50 Micrones		
Capacidad de Acete	9 oz / 250 ml	10 oz / 300 ml	16 oz / 470 ml	16 oz / 470 ml	19 oz / 550 ml
Construcción	Chasis de aluminio con manecilla de polietileno de alta densidad				
Protección de Sobrecarga	Motor con protección térmica				
Sistema de Control	Botón de encendido				
Desplazamiento de Aire	2 CFM @ 60H 48 l/m @ 50Hz	4 CFM @ 60Hz 96 l/m @ 50Hz	2 CFM @ 60H 48 l/m @ 50Hz	4 CFM @ 60Hz 96 l/m @ 50Hz	6 CFM @ 60Hz 144 l/m @ 50Hz
Conexión De Entrada	1/4 SAE & 1/2 ACME				
Gas Ballast	No				



# INFORMACIÓN GENERAL

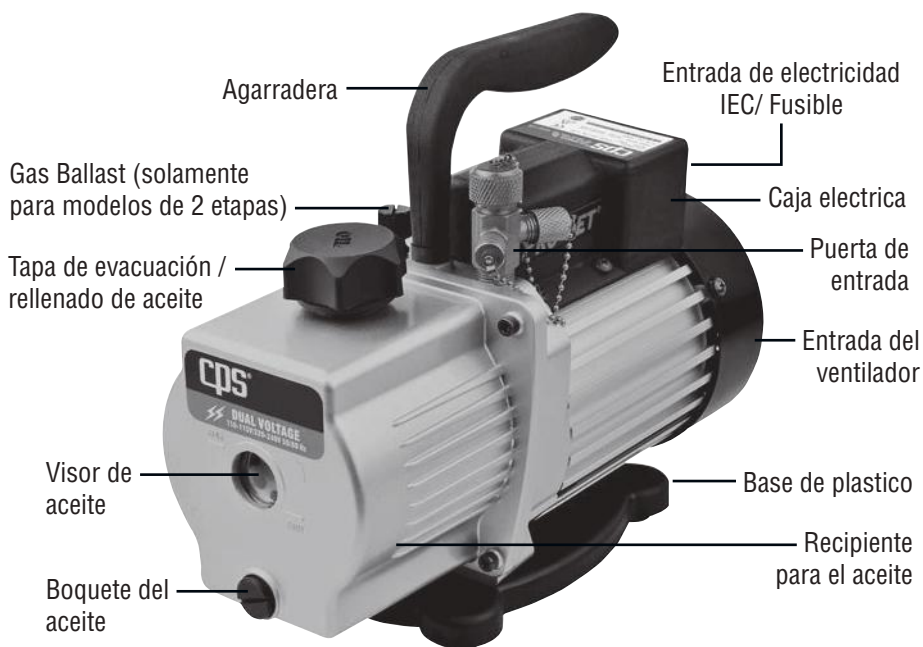
## Especificaciones

\* "En Blanco" = Voltaje Dual (110-120 / 220 50/60Hz E = 220-240V 50/60Hz J = 100V 50/60Hz U = 115V 50/60Hz

Modelo	VP2D*	VP2D*	VP4D*	VP6D*	VP8D*	VP10D*	VP12D*
Etapa	2						
Motor Horsepower RPM @ 50/60Hz	1/4 2880 / 3440	1/3 1440 / 1720	1/2 2880 / 3440	1/2 2880 / 3440	2/3 2880 / 3440	3/4 2880 / 3440	1 2880 / 3440
Dimensiones (pulgadas)	11.3 x 4.5 x 8.0	12.2 x 5 x 9.6	13.1 x 5.5 x 10		14.9 x 5.7 x 10.6		
Peso	12.1 lb / 5.5 kg	17.7 lb / 8.0 kg	22.1 lb / 10.0 kg	22.5 lb / 10.2kg	29.8 lb / 13.5kg	30.3 lb / 13.7kg	30.9 lb / 14.0kg
Rango de Operación	0°C (32°F) to 52°C (125°F)						
Fuente de Poder*	U, E, J	Dual, E, J			Dual, J		
Último Vacío	15 Micrones	10 Micrones					
Capacidad de Acete	9 oz / 250ml	11.5 oz / 330ml	15.5 oz / 450ml	14 oz / 400 ml	29 oz / 860 ml	28 oz / 830 ml	27 oz / 800 ml
Construcción	Chasis de aluminio con manecilla de polietileno de alta densidad						
Protección de Sobrecarga	Motor con protección térmica						
Sistema de Control	Botón de encendido						
Desplazamiento de Aire	2 CFM @ 60Hz 48 l/m @ 50Hz	2 CFM @ 60Hz 48 l/m @ 50Hz	4 CFM @ 60Hz 96 l/m @ 50Hz	6 CFM @ 60Hz 144 l/m @ 50Hz	8 CFM @ 60Hz 192 l/m @ 50Hz	10 CFM @ 60Hz 240 l/m @ 50Hz	12 CFM @ 60Hz 288 l/m @ 50Hz
Conexión De Entrada	1/4 SAE & 1/2 ACME		1/4 SAE, 3/8 SAE, and 1/2 ACME				1/4, 3/8 and 1/2 SAE
Gas Ballast	No		Sí				

# OPERACIÓN

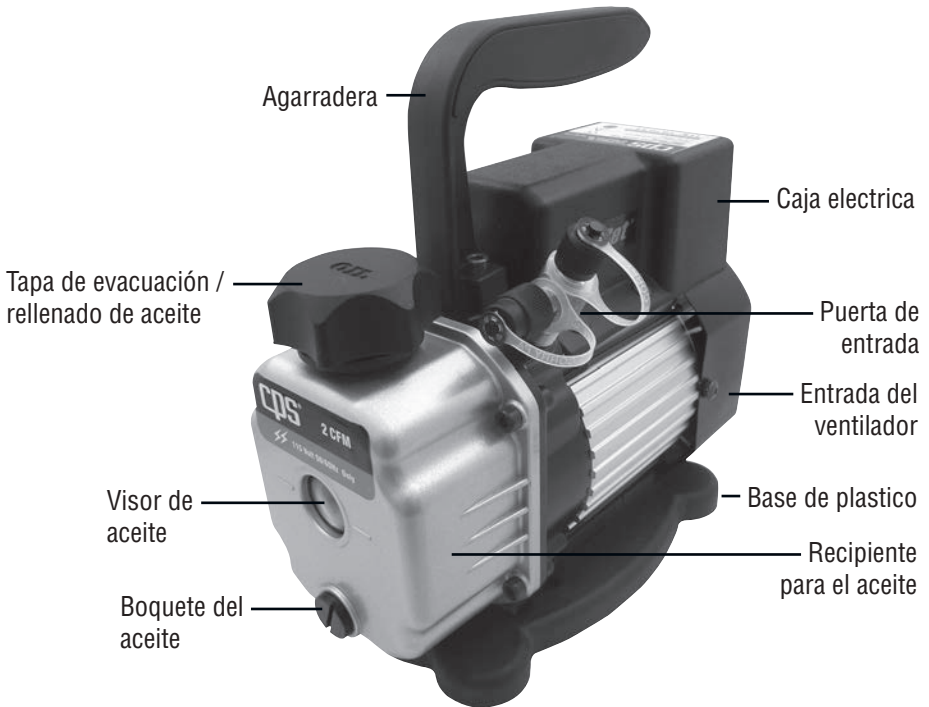
## Partes de Serie VP



### La unidad consiste de:

- Bomba de vacío **Pro-Set**®
- Cable de electricidad (115 voltios)
- Aceite para bomba de vacío 500 ml
- Manual de Operación

## Partes de Serie VPC



### La unidad consiste de:

- Bomba de vacío **Pro-Set®**
- Cable de electricidad (115 voltios)
- Aceite para bomba de vacío 500 ml
- Manual de Operación

# OPERACIÓN

## Preparación Inicial

- 1 Si la bomba de vacío está equipada con un motor de doble voltaje, asegúrese de que el selector de voltaje se establece para la operación de voltaje deseado.
- 2 La bomba de vacío es embarcada sin aceite en la cámara. Remover tapa de evacuación/re-llenado de aceite y añadir suficiente aceite hasta que se vea hasta la mitad del visor de líquido. Re-ajuste la tapa de aceite.
- 3 Remover el tapón de 1/4" en el puerto de servicio y abra la válvula de aislamiento. Encienda la bomba de vacío. Después de 15 segundos, Reemplace la tapa de 1/4 ubicada en la conexión de entrada. Déjala funcionando por un minuto adicional y luego apaga la bomba de vacío.
- 4 Revise el nivel de aceite en la bomba de vacío. Eche o retire aceite en caso de ser necesario.

Para obtener un buen nivel de vacío, el nivel de aceite debe de ser visto a través del visor de líquido.

**PRECAUCION: NO ENCENDER ESTE EQUIPO CON BAJO NIVEL O SIN ACEITE. HACER FUNCIONAR ESTE EQUIPO SIN LUBRICACIÓN CUASARA UN FALLO PREMATURO.**

**AHORA LA BOMBA DE VACIO ESTA LISTA PARA SER USADA**

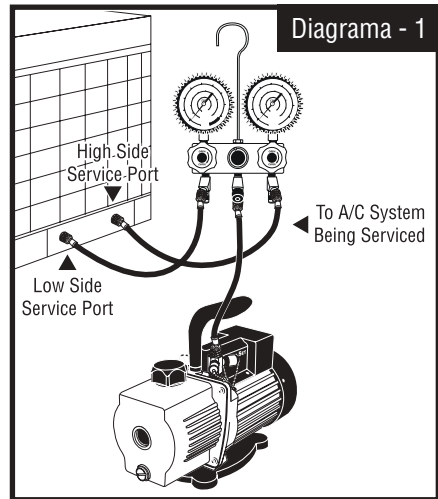
## Uso de la Bomba de Vacío

**ADVERTENCIA: No haga funcionar en sistemas a presión.  
Los daños a la bomba puede ocurrir.**

1. Verifique que el suministro de corriente sea el correcto.
2. Si la bomba de vacío está equipada con un motor de doble voltaje, asegúrese de que el selector de voltaje se establece para la operación de voltaje deseado.
3. Conecte el cable de alimentación correcta de la bomba de vacío a la salida de la fuente de alimentación.
4. Verifique el nivel de aceite en la bomba de vacío.

5. Conecte la bomba de vacío según se demuestra en el **Diagrama - 1**.
6. Abrir las válvulas del manifold.
7. Apretar el botón en **"ON"** en la bomba de vacío.
8. Mantener la bomba de vacío encendida hasta lograr el vacío final.
9. Cuando el vacío final se haya logrado, cerrar las valvulas del manifold. Apriete el botón **"OFF"**

## LA OPERACION DE VACIO HA TERMINADO



## Mantenimiento de Rutina

Se recomienda cambiar la bomba de vacío de petróleo después de **50 horas** de uso. La pureza del aceite determinará el nivel de vacío final. Utilice siempre el CPS recomienda el aceite de la bomba de vacío (**VPOP, VPOQ, VPOG**). El aceite de CPS siempre con la bomba de vacío ha sido especialmente mezclados para mantener la viscosidad máxima a la temperatura normal de funcionamiento, así como empresas de nueva creación el clima frío.

### PROCEDIMIENTOS PARA EL CAMBIO DE ACEITE:

1. Asegúrese que el aceite de la bomba de vacío este tibio. Si no esta tibio, encienda la bomba de vacío por unos 10 minutos.
2. Asegúrese que la bomba de vacío no este conectada.
3. Remover la tapa de drenaje de aceite y drene el aceite contaminado en un recipiente adecuado. Incline la bomba de vacío hacia la conexión de salida del aceite.
4. Una vez todo el aceite haya drenado, ajuste nuevamente la tapa de aceite en la conexión de drenaje de aceite.
5. Remover exhaust / oil fill cap de llenado de aceite y añadir aceite hasta que el nivel se encuentre a la mitad del visor de liquido. Ajuste nuevamente la tapa de evacuación / re-llenado de aceite.

## Solución de Problemas

Condición	Posible Problema	Solución
Ruido inusual	<ol style="list-style-type: none"> <li>1. Rodamientos malos.</li> <li>2. Pernos del motor desajustados.</li> <li>3. Acoplamiento defectuoso.</li> <li>4. Aceite sucio, inadecuado o bajo.</li> <li>5. Fugas de aire en las conexiones.</li> </ol>	<ol style="list-style-type: none"> <li>1. Reemplazar el motor.</li> <li>2. Ajustar los pernos.</li> <li>3. Reemplazar o ajustar el acoplamiento.</li> <li>4. Reemplazar el aceite.</li> <li>5. Arreglar las fugas.</li> </ol>
Alta temperatura	<ol style="list-style-type: none"> <li>1. Voltaje bajo o inadecuado.</li> <li>2. Rodamientos gastados.</li> <li>3. Nivel bajo de aceite.</li> </ol>	<ol style="list-style-type: none"> <li>1. Revisar la fuente de poder y el voltaje.</li> <li>2. Reemplazar el motor.</li> <li>3. Añadir o reemplazar el aceite.</li> </ol>
Baja calidad de vacío	<ol style="list-style-type: none"> <li>1. Fugas en el sistema.</li> <li>2. Nivel bajo de aceite.</li> <li>3. Aceite sucio.</li> <li>4. Fugas de aire en la conexión.</li> <li>5. Fugas de aire a través del sello.</li> <li>6. Mecanismo de rotación gastado.</li> </ol>	<ol style="list-style-type: none"> <li>1. Reparar las fugas.</li> <li>2. Añadir o reemplazar el aceite.</li> <li>3. Descargar el aceite y añadir nuevo.</li> <li>4. Arreglar las fugas.</li> <li>5. Arreglar el sello del eje.</li> <li>6. Reemplazar el modulo de bombeo.</li> </ol>
Fugas de aceite	<ol style="list-style-type: none"> <li>1. Fugas de aceite a través del expulsor.</li> <li>2. Fugas de aceite a través del sello del eje.</li> <li>3. Fugas de aceite a través del recipiente.</li> <li>4. Sistema pierde presión a través de la bomba.</li> <li>5. Bomba Volcada.</li> </ol>	<ol style="list-style-type: none"> <li>1. El nivel de aceite esta muy alto.</li> <li>2. Reemplazar el sello del eje.</li> <li>3. Ajustar las tuercas o reemplazar empaquetaduras.</li> <li>4. Revisar el nivel de aceite.</li> <li>5. Revisar el nivel de aceite.</li> </ol>
La bomba no arranca	<ol style="list-style-type: none"> <li>1. No electricidad al motor.</li> <li>2. Motor dañado.</li> <li>3. Fuera de servicio por térmico.</li> </ol>	<ol style="list-style-type: none"> <li>1. Inspeccione el fusible.</li> <li>2. Reemplazar el motor.</li> <li>3. Espere a que el protector térmico se restablezca.</li> </ol>
Corte por el térmico	<ol style="list-style-type: none"> <li>1. Bajo voltaje / incorrecto.</li> <li>2. Clima muy frío.</li> <li>3. Aceite sucio.</li> </ol>	<ol style="list-style-type: none"> <li>1. Revise el voltaje, mover el selector de voltaje a la posición correcta.</li> <li>2. Abrir la válvula de bloqueo y el gas ballast y haga funcionar al bomba por 1 minuto para calentar el aceite.</li> <li>3. Descargar el aceite y añadir nuevo.</li> </ol>

CPS® Products, Inc. garantiza que todos sus productos están libres de defectos en su fabricación y en sus materiales por un año. Si el equipo fallara durante el tiempo de garantía será reparado o reemplazado (a nuestra opción) sin costo alguno. Esta garantía no se aplica a equipos que han sido alterados, mal usados o retornados y que solamente requerían de un servicio y mantenimiento en el lugar mismo. Esta política de reparación no incluye equipos en los cuales se determina que la reparación será más costosa que la unidad misma. Todos los productos a ser regresados para reparación en garantía deben de estar acompañados de la factura de venta original y la información completa del cliente.

## Contáctenos

**Web : [www.cpsproducts.com](http://www.cpsproducts.com)**

**Email: [info@cpsproducts.com](mailto:info@cpsproducts.com)**

## CPS Products, Inc.

### **CPS Products, Inc. U.S.A. (Headquarters)**

1010 East 31st Street, Hialeah, Florida 33013, USA  
Tel: 305-687-4121, 1-800-277-3808, Fax: 305-687-3743  
E-mail: [info@cpsproducts.com](mailto:info@cpsproducts.com) [www.cpsproducts.com](http://www.cpsproducts.com)

### **CPS Canada**

4605 Chrysler Ave. Niagara Falls, Ontario L2E 3V6  
Tel: 905-358-3124, Fax: 905-358-7187, 1-866-629-3895,  
E-mail: [cpscanada@bellnet.ca](mailto:cpscanada@bellnet.ca)

### **CPS Products N.V**

Krijgsbaan 241, 2070 Zwijndrecht, Belgium  
Tel: (323) 281 30 40, Fax: (323) 281 65 83, [www.cpsproducts.be](http://www.cpsproducts.be),  
E-mail: [info@cpsproducts.be](mailto:info@cpsproducts.be)

### **CPS Australia PTY. LTD.**

109 Welland Avenue, Welland, South Australia 5007  
Tel: +61 8 8340 7055, Fax: +61 8 8340 7033  
E-mail: [sales@cpsaustralia.com.au](mailto:sales@cpsaustralia.com.au)

**cps**<sup>®</sup>

[www.cpsproducts.com](http://www.cpsproducts.com)

#73-144 RevB